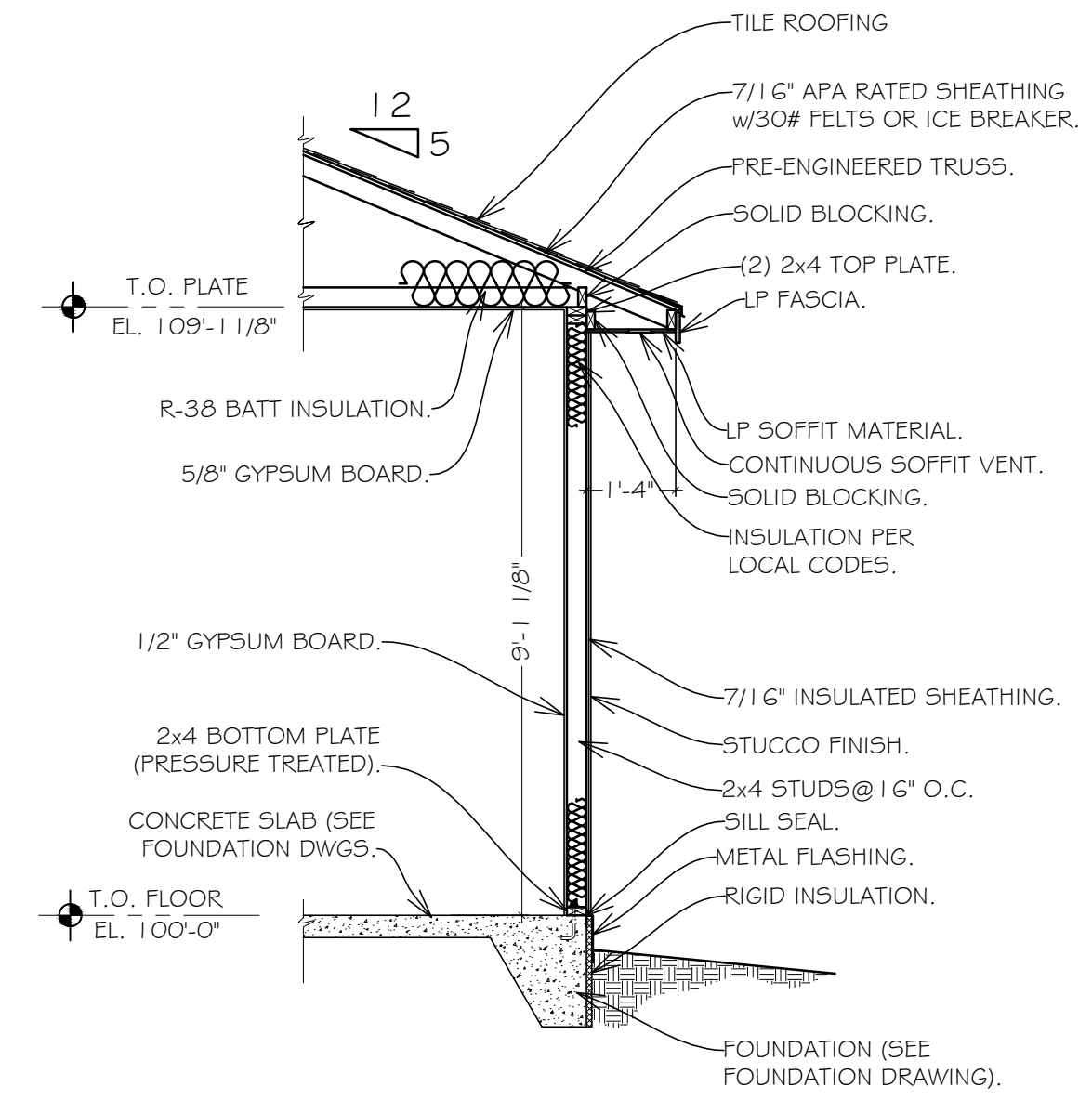


DOOR SCHEDULE					
SYMBOL	WIDTH	HEIGHT	HEADER	NOTES	QUANTITY
①	3'-0"	6'-8"	(2)2"x8"	INSULATED DOOR	1
②	3'-0"	6'-8"	(2)2"x8"	INSULATED DOOR HALF LIGHT	1
③	3'-0"	6'-8"	(2)2"x8"	20 MIN. INSULATED DOOR	1
④	3'-0"	6'-8"		INTERIOR DOOR	2
⑤	2'-8"	6'-8"			2
⑥	2'-6"	6'-8"			2
⑦	2'-4"	6'-8"			2
⑧	2'-0"	6'-8"		BI-FOLD DOOR	1
⑨	PR-2'-0"	6'-8"		BI-FOLD DOOR	1
⑩	PR-2'-6"	6'-8"		BI-PASS DOORS	1
⑪	PR-3'-0"	6'-8"		BI-PASS DOORS	1
⑫	PR-2'-0"	6'-8"	(2)2"x10"	BARN DOORS	1
⑬	PR-2'-6"	6'-8"	(2)9-1/2"LVL5	SLIDING GLASS PATIO / INSULATED	1
⑭	16'-0"	8'-0"	(2)11-7/8"LVL5	OVERHEAD DOOR	1

WINDOW SCHEDULE						
SYMBOL	SIZE	MATERIAL	TYPE	HEADER	COMMENTS	QUANTITY
①	3o5o	VINYL	SINGLE-HUNG	(2)2"x8"	INSULATING	5
②	2o5o	VINYL	SINGLE-HUNG	(2)2"x8"	INSULATING	2
③	3o3o	VINYL	SINGLE-HUNG	(2)2"x8"	INSULATING	1
④	5o1o	VINYL	FIXED	(2)2"x8"	INSULATING	1
⑤	3o1o	VINYL	SLIDER	(2)2"x8"	INSULATING	2



GENERAL NOTES:

EXTERIOR DOORS: 1-3/4" INSULATED PRE-HUNG VINYL CLAD OR WD (PRE-BORED FOR LOCKS & DEADBOLT)

INTERIOR DOORS: 1-3/8" PRE-HUNG HOLLOW CORE WOOD, LEVER-TYPE LOCKSETS, DOORS & HARDWARE AS APPROVED BY OWNER.

OVERHEAD DOOR: 1-3/4" INSUL. ROLL-TYPE DOORS W/TRACK, GUIDES, AUTO OPEN & LOCKS.

EXTERIOR WINDOWS: INSULATING VINYL, LOW "E" GLAZING, U-VALUE CERTIFIED.

CLOSETS: 1-1/2" PAINTED SHELF, 1- METAL POLE, SHELF @ 68" A.F.F. CONFIGURATION BY CONTRACTOR.

BATH: LAVATORY SINK BASIN, T.P. HOLDER, ROBE HOOK ON DOOR (PRIMARY), TOWEL BARS (1-24", 1-36").

KITCHEN & BATH CABINET & CTR. TOP DESIGN BY OTHERS.

EXTERIOR FINISH AS NOTED ON PLAN. DRYWALL INTERIOR FINISH MOISTURE-RESISTANT DRYWALL "GREENBOARD" IN BATHS & SINK.

PROVIDE GUTTER & DOWNSPOUT SYSTEM TO PROVIDE POSITIVE DRAINAGE AWAY FROM STRUCTURE. DO NOT SCALE DRAWINGS.

DIMENSIONS TAKE PRECEDENCE OVER SCALE, LARGER SCALE OVER SMALLER SCALE. # DETAILS OVER NOTES. GEN'L CONTRACTOR & SUB-CONTRACTORS SHALL VERIFY DRAWINGS & SITE CONDITIONS BEFORE COMMENCEMENT OF THE WORK.

ANY DISCREPANCY IN THE DRAWINGS OR DOCUMENTS SHALL BE BROUGHT TO THE ATTENTION OF THE ARCHITECT/ENGINEER PRIOR TO COMMENCEMENT OF THE WORK.

ALL WORK SHALL COMPLY WITH THE MOST CURRENT ADOPTED I.R.C., STATE ENERGY CODE, & LOCAL BLDG. DEPT. REQMNTS.

PRE-MANUFACTURED FLR. # ROOF TRUSSES AS APPROVED BY THE ARCHITECT/ENGINEER.

ATTIC SPACE VENTILATION PER I.R.C. R806.

ELECTRICAL NOTES:

ELECTRICAL CONTRACTOR TO SUPPLY ALL LABOR & MATERIAL TO PERFORM THE WORK PER APPLICABLE GOVERNING CODE (NEC & LOCAL).

THE WORK SHALL INCLUDE: FANLITES, SWITCHES, MOTORS, RECESSED LIGHTS, SMOKE & CO2 ALARMS, OUTLETS, PANELS, BREAKERS, POWER & LIGHTING.

OWNER SELECTION OF FINISHES (COLOR & TYPE) BEFORE INSTALLATION.

MECHANICAL:

MECHANICAL CONTRACTOR TO SUPPLY ALL LABOR & MATERIAL TO PERFORM THE WORK PER APPLICABLE GOVERNING CODES (UMC, UPC, & LOCAL).

GOVERNING CODE (UMC, UPC, & LOCAL).

THE WORK INCLUDES: 50 GALLON GAS-FIRED WTR. HTR. AIR-CONDITIONING, VENTING, MAKE-UP AIR FOR EXHAUST FANS, WATER CLOSETS, TUB & ENCLOSURE, SHOWER, SHOWER PAN OR ENCLOSURE & LAVS, FORCED-AIR HEAT SYSTEM & FURNACE STAINLESS STEEL DOUBLE SINK w/GARBAGE DISPOSAL, ICE-MAKING CONNECTION (FOR REFRIGERATOR), UNDER-COUNTER DISHWASHER.

Buyer Approved: _____
Date: _____

DISCLAIMER
This plan is not a 100% scale as internal features or appliances shown other than those noted in your specifications are for effect only and not included.
COPYRIGHT
Integrity Homes, LLC, and may not be used or reproduced in whole or without written permission.

INTEGRITY HOMES
Phone: 970-255-6520 Fax: 970-255-1017
1380 North Ave.
Grand Junction, CO 81501

2833 1/2 RD. KELSO MESA DR.
MESA ESTATES SPEC 1.
GRAND JUNCTION, CO

Silver Inclusions

Revisions
DATE/REVISION

Phase CD Date 25-JUNE-19 Drawn by: EG

FLOOR PLAN

A1

CONSTRUCTION DOCUMENTS

NOTE: 1/4" x 1/4" Drawings are printed at Half Scale.